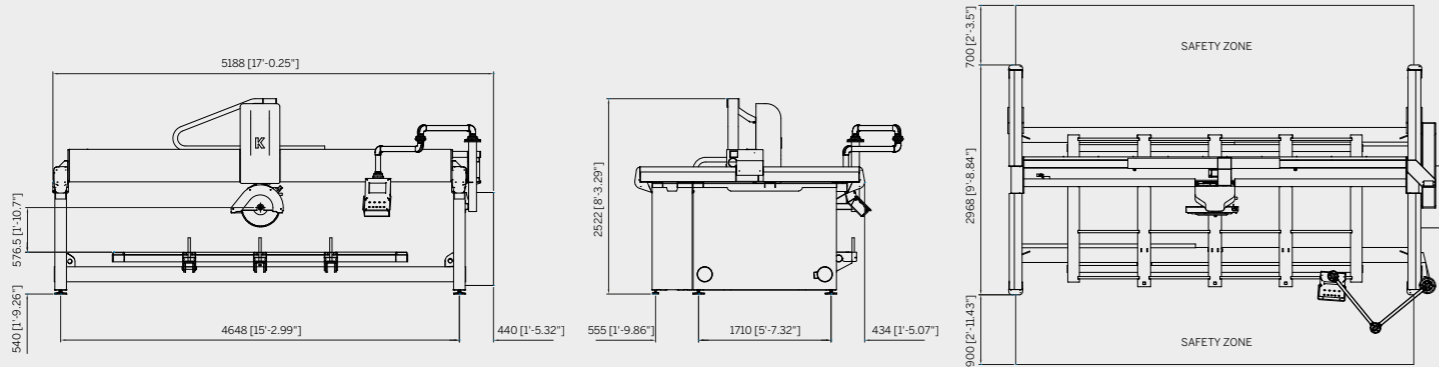




Technical specification

Technical data and pictures are not binding. Sasso reserves the right to make changes without notice. Speed and modality of cutting can vary according to the thickness and the type of material.



TECHNICAL DATA

Disc diameter min/max	inches	14 - 20	mm	350 - 500
Table dimensions	inches	138 - 79*	mm	3500 x 2000*
X axis	inches	143,7*	mm	3650*
Y axis	inches	85,43	mm	2170
Z axis	inches	12,6	mm	320
Disc inclination (optional)	degrees	0° - 45°	degrees	0° - 45°
Disc motor	kW	8,5 (S6)	kW	8,5 (S6)
Disc revolutions	rpm	1400	rpm	1400
Water consumption	gal/min	40	lt/min	40
Approximate weight	lb	7700	kg	3500

* (OPTIONAL) X stroke 157,48 inches and dimension of workbench on request



180° rotating and 0°- 45° tilting head

The Sasso K500 CNC mono-bloc bridge saw is designed and build for the natural stone industry. It has a rotating head & fixed table. The on-board, user friendly touch screen has a selection of simple programmes for straight cuts, oblique cuts and linear profiles. The disc can be tilted manually up to 45° (optional). The K500 CNC saw is constructed with service & maintenance in mind, with easy access to drives and components. For quality beyond time.



1 Made to last

Sasso is the only one to offer you a complete range of fully hot galvanized machines: no rust, long life of the machine, excellent speed and quality, minimum after sales needed.

2 Accurate

Axis interpolation allow the machine to cut in every direction included within 180°, and it also allows to work roughing profiles and profiles with shoulder blade.

3 Reliable

With hot galvanized construction, stainless steel and composite components, the K500 is resistant to wear.

4 Easy to use

Simplified electrical panel thanks to a totally digital technology and a guide ways and drive system of the maximum precision and reliability, make the machine comfortable and easy to use.