

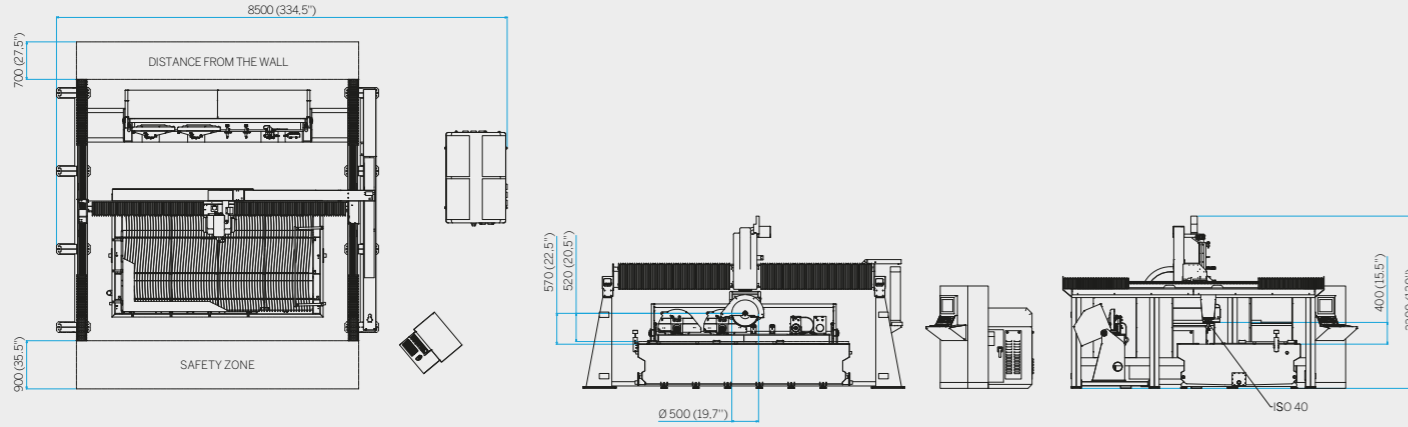
FROM 1974
Machines are built
solid as a rock



mindfactory

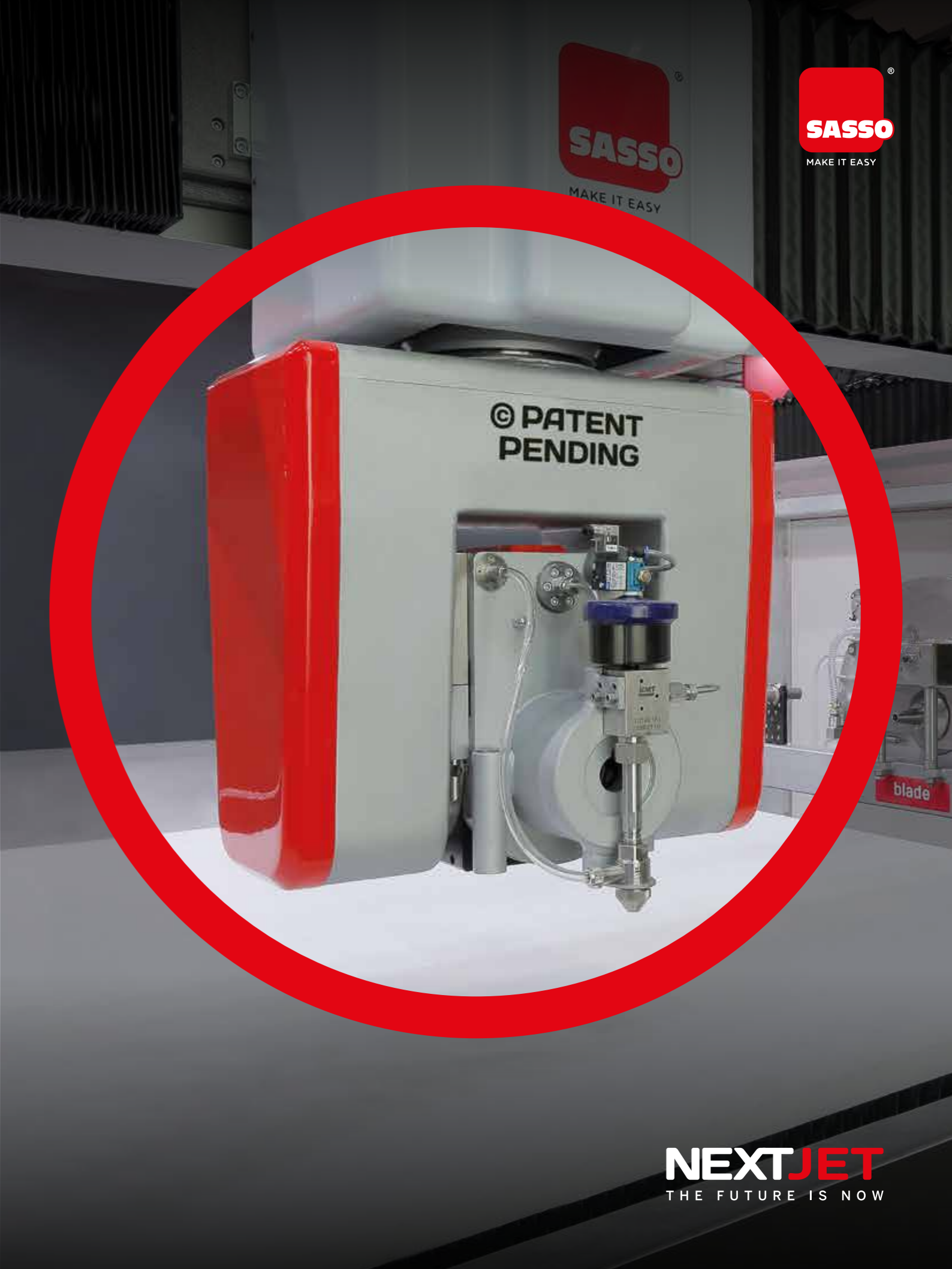
Technical specification

Technical data and pictures are not binding. Sasso reserves the right to make changes without notice. Speed and modality of cutting can vary according to the thickness and the type of material.



TECHNICAL DATA

Disc diameter min/max	inches	16 - 19,6	mm	400 - 500
Cutting stroke of the blade (X axis)	inches	145,6	mm	3700
Maximum bridge traslation (Y axis) (please ask for extra Y axis travel)	inches	149,6	mm	3800
Maximum vertical stroke of the blade (Z axis)	inches	13,8	mm	350
Disc inclination	degrees	0° - 90°	degrees	0° - 90°
Disc motor	kW	18 (S6)	kW	18 (S6)
Spindle rotation speed	rpm	800-10.000	rpm	800-10.000
Bench dimensions	inches	138x80	mm	3500x2000
Water consumption	gal/min	13	lt/min	50
Air consumption	Nlt/min	200	Nlt/min	200
Approximate weight	lb	18739,3	kg	8500



04.2019 - VERS. 01 - UK



Sassomeccanica SpA
Via del Lavoro, 2
63076 Monteprandone / Ap / Italy

T. +39 0735 650988
F. +39 0735 657741
info@sassomeccanica.it

www.sasso.it

NEXTJET
THE FUTURE IS NOW



NEXTJET
THE FUTURE IS NOW

Next Jet: the future is now

© PATENT PENDING

The Next Jet is a high performance CNC saw, designed to drastically increase production capacity and efficiency. A useful tooling compartment allows you to quickly change the different systems on hand: Waterjet, discs for granite, marble and quartz, as well as bits for milling. It can work on gravestone material easily and efficiently, saving you time and material.



1 Extreme cut

The Next Jet is a multi-tooling machine with Water Jet 5 axis CNC technology. It can cut with a blade, water-jet, or completely automated milling bits on a large range of kitchen countertops and hard surfaces.

2 Fast Tool change

A multifaceted machine that lets you change tools fast: Waterjet, discs for granite, marble and quartz, as well as bits for milling. All this is located in an automatic stainless-steel compartment, situated at the back of the machine.

3 Easy programming

Programming has never been easier with the Sasso Fast Path software. The machine can automatically generate the tooling path for the 2D cutting discs, blades, waterjet, and milling bits.

4 Inclined cut on the entire slab

The Next Jet can make 45° cuts with both the blade and water jet on the entire surface of the slab. With the increased use of unique materials for kitchen countertops, it is more important than ever to count on the cutting process being easy and versatile.